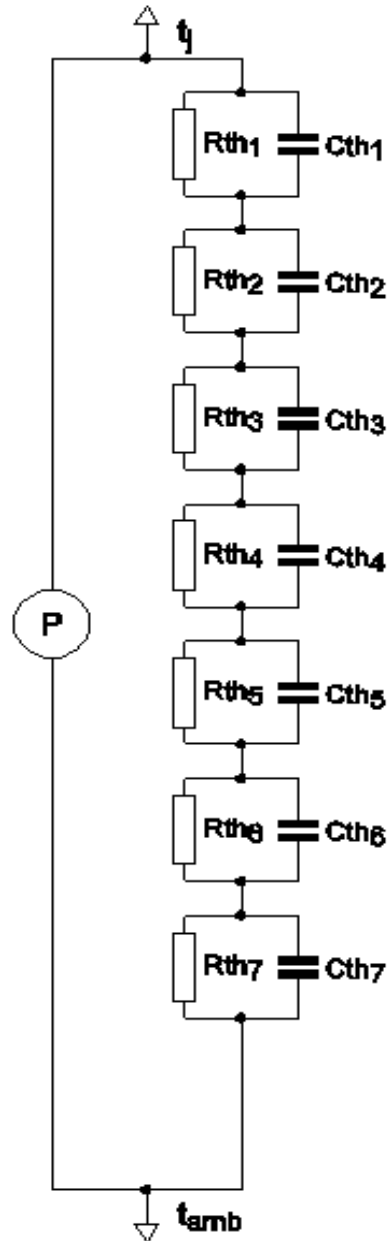


## SPICE thermal model

PSMN069-100YS

Symbol	Parameter	Conditions	Min	Typ	Max	Unit
$R_{th(j-mb)}$	thermal resistance from junction to mounting base		-	-	1.60	K/W

$C_{th1}$	1.264E-05 F
$C_{th2}$	4.675E-05 F
$C_{th3}$	1.400E-04 F
$C_{th4}$	5.424E-04 F
$C_{th5}$	1.474E-03 F
$C_{th6}$	2.457E-02 F
$C_{th7}$	5.501E-02 F
$R_{th1}$	7.876E-03 $\Omega$
$R_{th2}$	2.232E-02 $\Omega$
$R_{th3}$	7.038E-02 $\Omega$
$R_{th4}$	1.993E-01 $\Omega$
$R_{th5}$	4.802E-01 $\Omega$
$R_{th6}$	5.815E-01 $\Omega$
$R_{th7}$	2.385E-01 $\Omega$



Part: PSMN069-100YS  
 Date: 31/10/2014  
 Model Rth 1.60 K/W